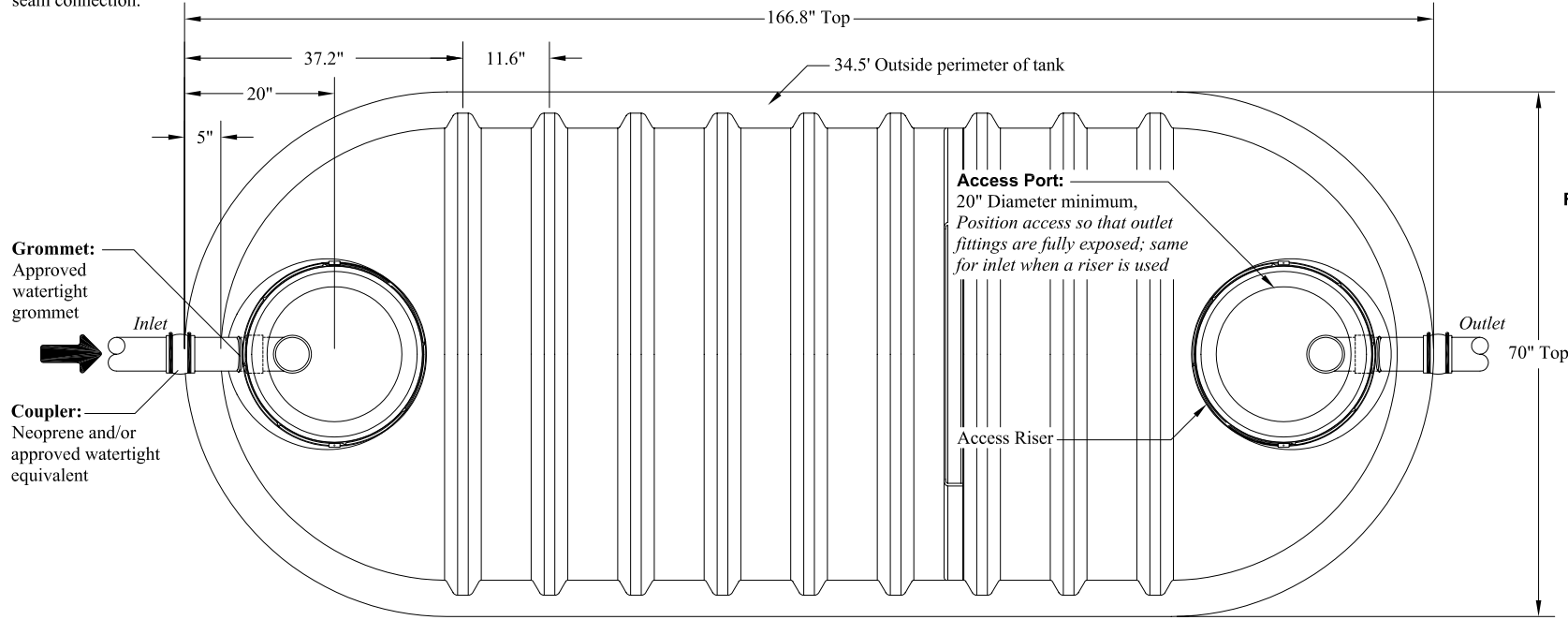


Note:
See general detail sheet for all details regarding seep rings, grommets, couplers, access ports, riser, and tank seam connection.



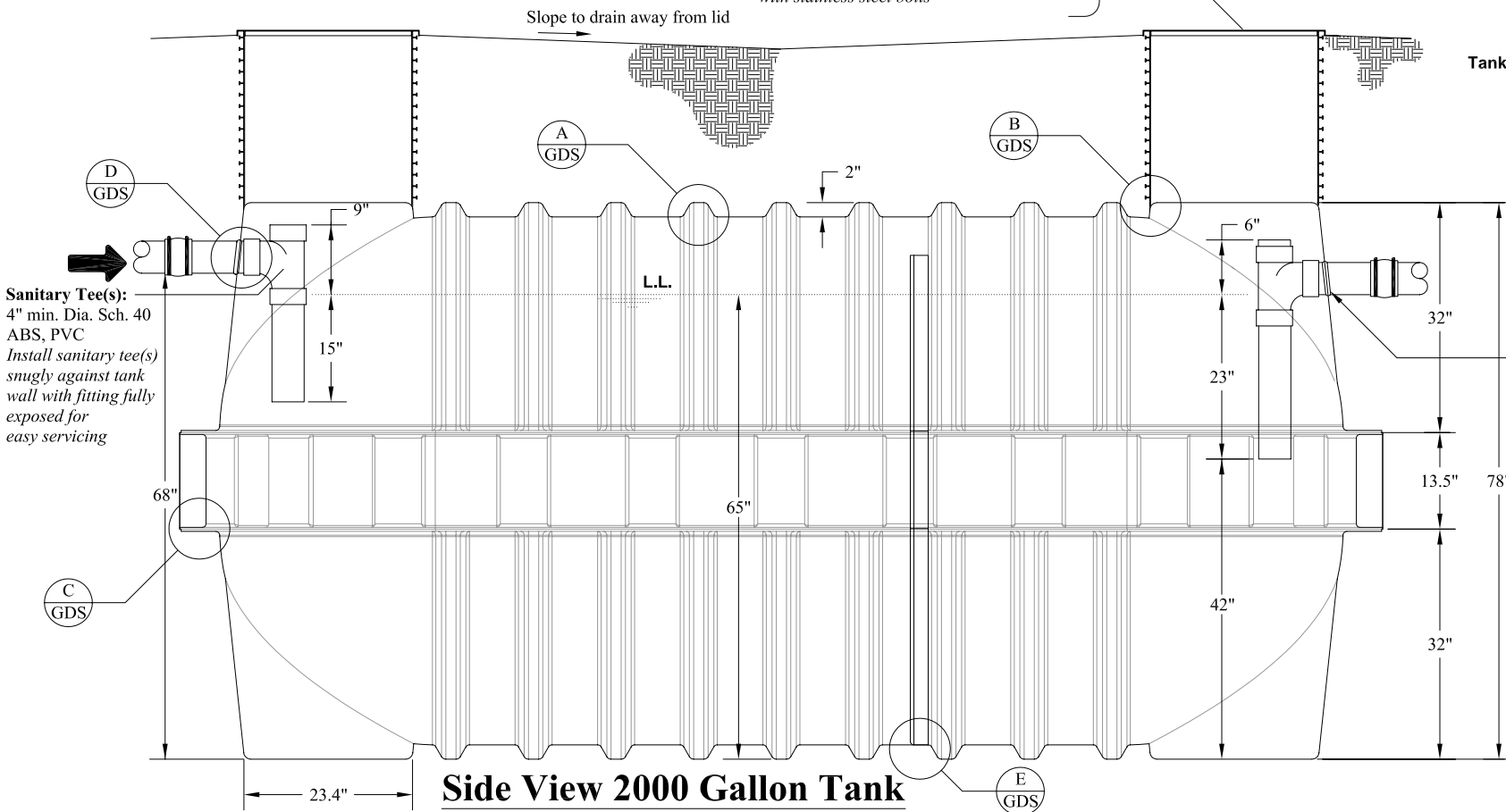
Top View

Riser and Lid:

24" Dia. ribbed PVC riser w/latching lid and polyurethane gasket or approved

All risers shall be attached in a permanent and watertight manner

Lids shall be kept securely fastened at all times with stainless steel bolts



Side View 2000 Gallon Tank

General Notes:

Tank Volumes:

Total Volume: 2300 gal±
Operating Volume: 2078 gal± @ 65"
Unit volume at typical operating depth : 27.5 gal./in.±

Loads:

Top = 500 psf minimum
Lateral Load = 62.4 pcF, EFP
Concentrated Wheel Load = 2500 lb.
The septic tank shall be capable of withstanding long-term hydrostatic loading, in addition to the soil loading, due to a water table maintained at ground surface.
Soil Bearing = 1000 psf (*re-evaluate support base if soil bearing is less or unequal*)

Fiberglass:

Method of calculations:
1. Fiberglass tanks shall be analyzed using finite element analysis for buried structures, or stress tested.
2. Analysis or stress test shall address the following:
• strength
• buckling
• deflection of 5% of the tank diameter, based on service load (including long-term deflection lag)
• buoyancy
3. Performance testing

Resin: polyester (ortho, iso, depd)

Reinforcement: Fiberglass (25% min.). The thickness for different regions of the tanks shall be described and shown in drawings for each individual tank.

The laminate properties listed here along with the minimum thickness as shown in the details are considered design minimums that must be maintained during the manufacturing of the tanks. The primary strength properties are listed below:

Property	Type I Laminate
Tensile modulus E_t	1,000,000 psi
Flexural modulus E_f	800,000 psi
Ult, Tensile strength F_t	11,000 psi
Ult, Flexural strength F_b	18,000 psi
Ult, compressive strength F_c	21,000 psi
Ult, Shear In-Plane F_s	7,800 psi

The tank shall be constructed with a glass fiber and resin content specified by the manufacturer and with no exposed glass fibers. Any permanent metal part shall be 300 series stainless steel.

Installation:

Installation, bedding, compaction, etc., shall be in strict compliance with the manufacturers standards and state or local rules and guidelines. All tanks shall be set level on a minimum 4 inch thick compacted sand or approved granular bedding overlying a firm uniform base. The base shall be stable and uniform in order to ensure equal bearing across the tank bottom. Installations with 18 inches or less of ground cover may require additional buoyancy considerations as described in the manufacturers instructions. A minimum cover of 12 inches is required over the tank in areas subject to occasional light wheel loads.

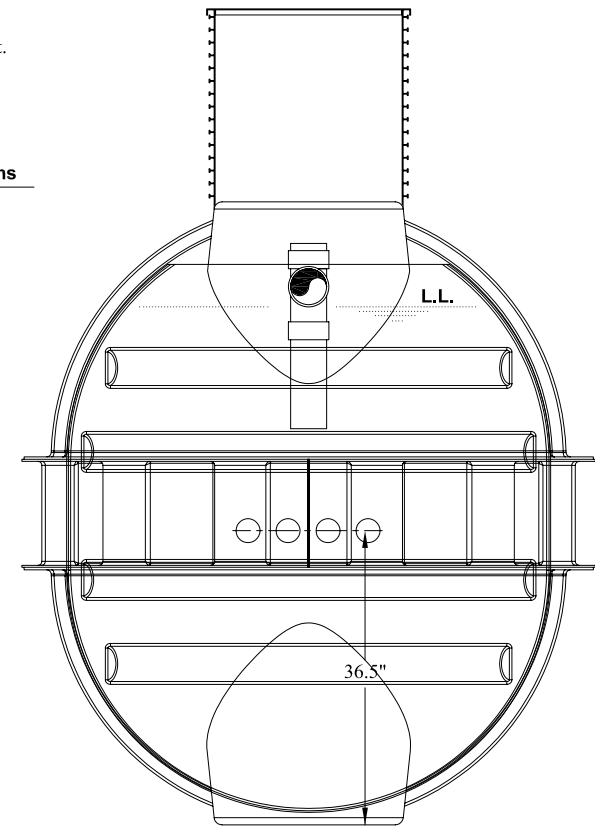
Test:

Tanks shall be tested and certified watertight per manufacturers recommendations and or any prevailing rules or guidelines, whichever is more restrictive.

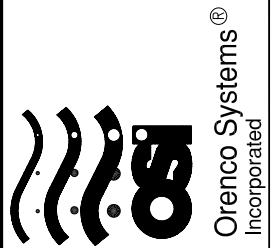
Tank Markings:

Place marking on the upper most surface over the outlet.
Liquid capacity: 2000 gal. ±
Max burial depth: 4ft.
Max traffic (wheel): 2500 lbs.
Date manufactured:
Permit no.:

Inside Height Inches	Total Gallons
78	2300
72	2239
66	2105
60	1929
54	1825
48	1503
45.5	1400
42	1270
36	1048
32	900
30	822
24	599
18	392
12	211
6	71
0	0



End View



Project Title:	IAPMO 2000 Ga.I Septic Tank	
	Document#	2000 IAPMO.DWG
Scale:	NONE	
	Date:	7/01/2011

Drawn By:	CHRIS JORDAN
Drawing:	1 OF 2
Revision:	1/1

Designed By:	ENGINEERING
Approved By:	
Date Approved:	

Notes:
© 2011 Orengo Systems®, Inc.